

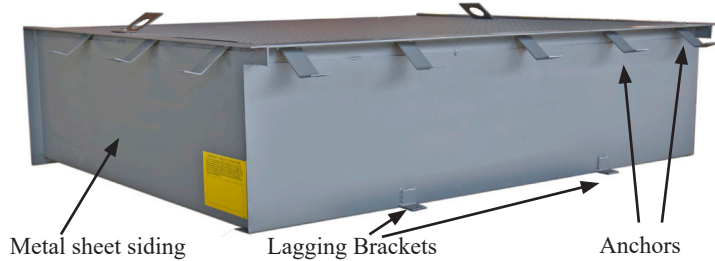


Engineered for Safety

The Benefits of Pour In Place Dock Levelers & Installation Overview

What is a Pour In Place Dock Leveler?

View from Rear of pour in place dock leveler



A pour in place dock leveler is provided with anchors and metal sheet siding to facilitate the concrete floor being poured around the dock leveler. The dock leveler is set into a foundation cut out, leveled and anchored in place, prior to the pouring of the concrete floor. When the concrete floor is poured the dock leveler is securely encased and installed. Field welding is eliminated. All the required welds are completed at the factory prior

to shipment. The pour in dock leveler alleviates the need to preform the dock leveler pit prior to dock leveler installation. Pentalift has extensive experience in providing pour in place dock levelers from small to very large projects.

How Do Pour In Place Dock Levelers Save Money?

Pour in place dock levelers save money by dramatically reducing the cost of installation. The costs associated with forming dock leveler pits, stripping and cleaning the formed pits and performing installation welds are all reduced. Concerns with forming the pit to the correct size, for a pit style dock leveler are eliminated. The pit created by a pour in place dock leveler is a perfect fit. Typical savings for are shown in the table on the next page. Savings shown are per dock leveler. The total savings on projects with many dock levelers are significant.



Typical Savings From Pour In Dock Levelers

Item	Pour-In Dock Leveler	Pit Style Dock Leveler
Forming of pit	Only the front requires forming. 1 man @ 2 hrs X \$60 / hr = \$120	2 men, approximately 16 hrs x \$60 / hr = \$960
Purchase curb angle	Supplied with leveler = \$0	\$225
Materials for forming pit	Plywood (1.5 sheets) and 2 x 4s \$110	Plywood and 2 x 4s \$215
Stripping and cleaning pit	1 man @1 hrs = \$60	1 man @ 2 hrs = \$120
Installation costs	Unload, shim, level, anchor prepared for concrete. \$150	Unload, shim, weld in place. Approximately 45 inches of field welding required. \$335 + shim costs of \$65 = Total \$400
Additional cost of pour in option for dock leveler	\$400	0
Installed cost	\$840	\$1695
Cost difference / savings	\$855	

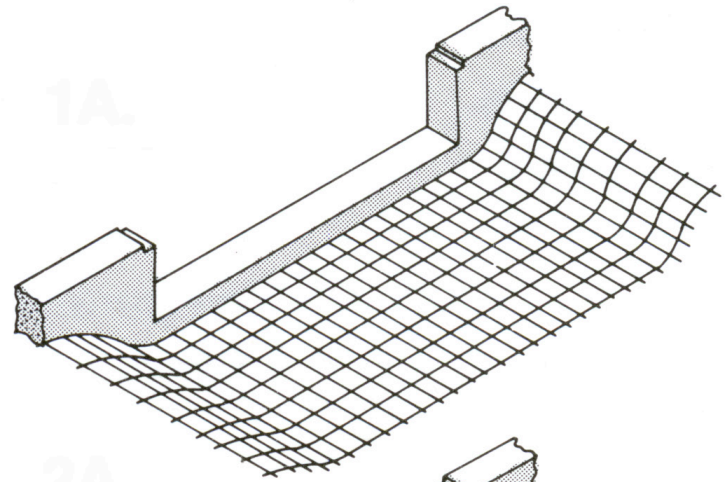
Note: Deck and lip assemblies on Pentalift dock levelers are easy to remove and replace in the event that repair or replacement is required after the service life of the dock leveler is complete. The frame assembly is cast in place into the concrete. Replacement frame assemblies are available to suit existing deck and lip assemblies.



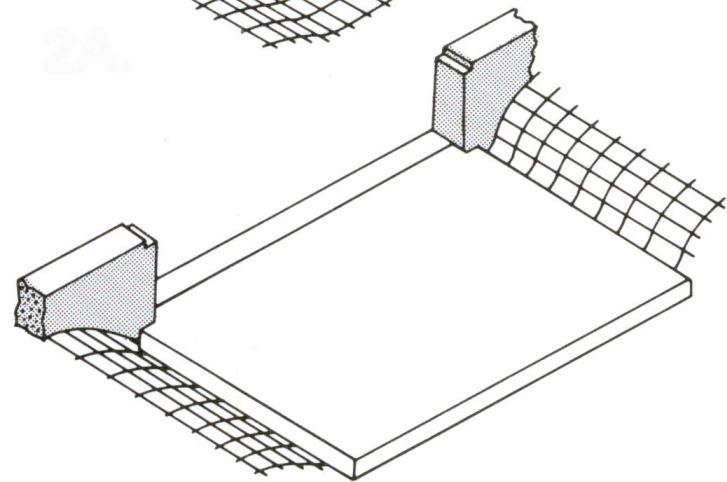
How are Pour In Place Dock Levelers Installed ?

Below is an overview of Pour in dock leveler installation process:

1. Provided cut out in the foundation wall to accommodate the dock leveler.



2. Pour a concrete pad to support the dock leveler and the loads that will be applied to the dock leveler.



3. Level the dock leveler at the finished floor height of the building. Make sure the front face of the dock leveler is square with the building foundation. Anchor the dock leveler using the anchor brackets attached to the dock leveler. Pour the concrete using two pours and following all aspects of the manufacturers installation instructions.

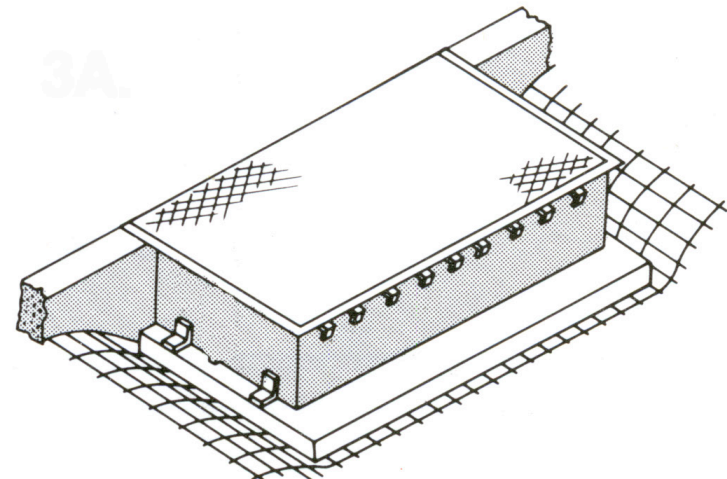


Photo Gallery of Steps



Concrete pads are poured. The pads must be sufficiently thick and strong enough to withstand the maximum loads that will be applied to the dock leveler.



The dock leveler is set onto the pad, positioned and leveled to the finished floor height. The dock leveler is then anchored, using the supplied anchor brackets.



Prior to the pour, the front sides of the dock leveler are blocked. The concrete is poured in two pours following the manufacturer's installation instructions.

After the pour is completed, the front forms and spacer bolts are removed. The finished installation is neat and tidy.



When the pour in process is completed, the result is a successful installation with a significantly lower installation cost than dock leveler levelers that are installed into a preformed pit.

Consult a Pentalift Sales Representative for additional information or equipment recommendations

Note: Some photos may reflect products with optional features. All Pentalift Equipment products are subject to design improvement through modification without notice.

PENTALIFT EQUIPMENT CORPORATION

P O Box 1510 Buffalo NY U.S.A. 14240-1510

21 Nicholas Beaver Road, Puslinch ON Canada N0B2J0

Website: www.pentalift.com

Phone (519) 763-3625 Fax (519) 763-2894

Phone (519) 763-3625 Fax (519) 763-2894

Email: dock@pentalift.com